

The TSF test stand is ideal for spring testing, destructive testing, product integrity testing, and other applications requiring up to 1,000 lbF (5,000 N) of push or pull force. The stand features a large side mounted hand wheel requiring minimal user effort and a rigid 3" x 3" column. A removable steel loading surface with threaded holes for fixture and grip mounting adds flexibility for many testing applications, and a solid metal base (TSF) contains a storage pocket and holes for bench mounting. Available in vertical and horizontal orientations.

## Specifications

|                        |  |
|------------------------|--|
| <b>Load capacity:</b>  | 1,000 lbF [5,000 N]                                    |
| <b>Maximum travel:</b> | 4.0 in [102 mm]  |
| <b>Loading method:</b> | Side-mounted hand wheel                                |
| <b>Travel rate:</b>    | 0.013 in [0.34 mm] per wheel rev.                      |
| <b>Weight:</b>         | TSF: 33 lb [14.5 kg]<br>TSFH: 27 lb [12.3 kg]          |
| <b>Warranty:</b>       | 3 years (see individual statement for further details) |

## Optional Equipment



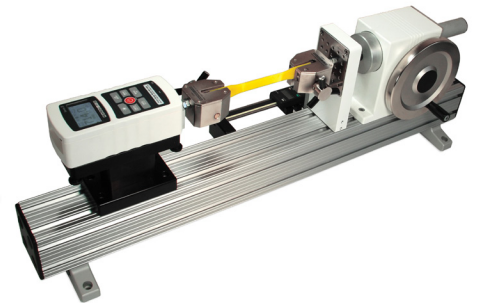
**Digital travel display  
TSF001**

6 in [150 mm] travel, 0.0005 in [0.01 mm] resolution, 0.001 in [0.03 mm] accuracy, SPC output for data collection.



**Horiz. mounting kit  
TSF002**

Converts to a horizontal orientation, for alternative mounting arrangements.



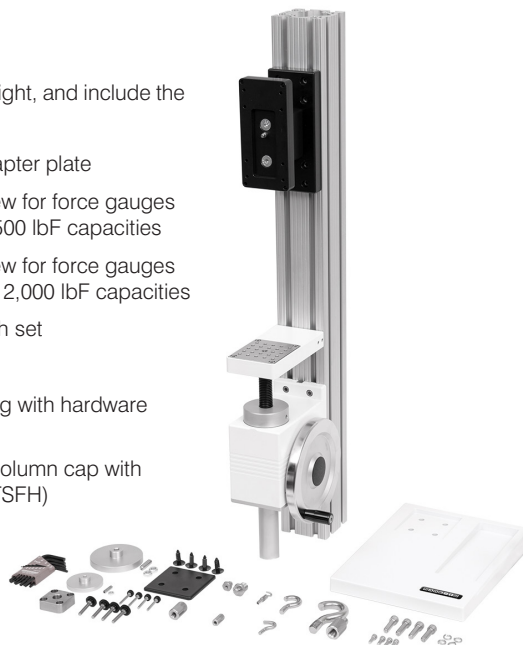
The TSF is shown testing a compression spring, with a Series 5 digital force gauge and digital travel display

The TSFH is shown configured for a tensile test, with Series 5 digital force gauge, film and paper grips, and digital travel display

## In The Box

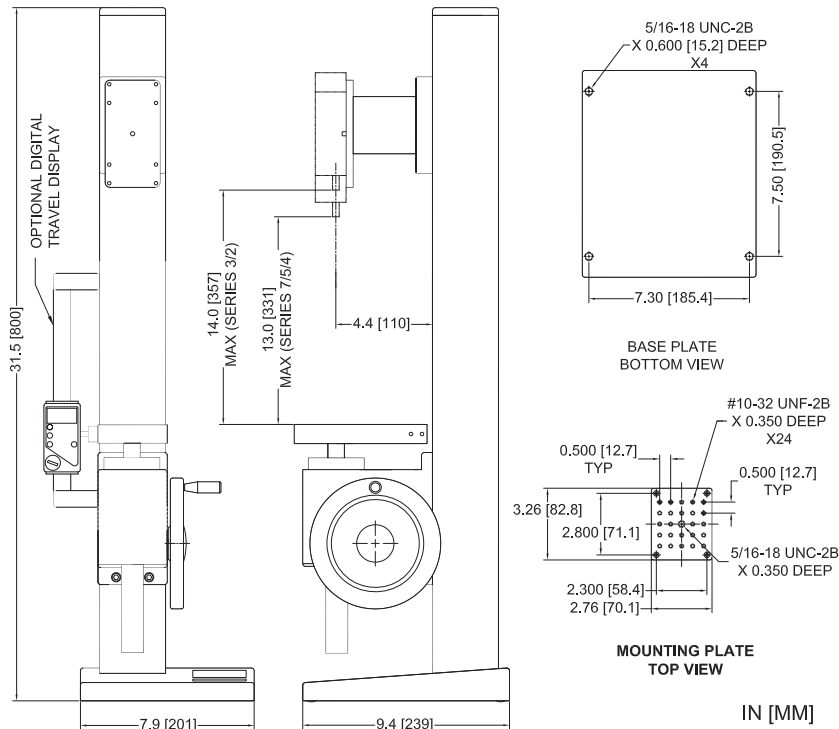
The TSF and TSFH test stands are shipped as shown at right, and include the following accessories:

- |  |  |
|--|--|
| (1) G1028 small hook                           | (1) 1/2-20F adapter plate  |
| (1) G1038 medium hook                          | (4) Thumb screw for force gauges with 0.12 - 500 lbF capacities    |
| (1) G1035 large hook                           | (4) Thumb screw for force gauges with 1,000 - 2,000 lbF capacities |
| (1) G1042 extra large hook                     | (1) Allen wrench set   |
| (1) G1009 compression plate, 2" dia.           | (1) Base (TSF)   |
| (1) G1009-1 compression plate, 3" dia.         | (2) Mounting leg with hardware (TSFH)                              |
| (1) G1030 thread adapter, 5/16-18M to #10-32F  | (1) Additional column cap with hardware (TSFH)                     |
| (1) G1041 thread adapter, 5/16-18M to #1/2-20M |  |
| (2) #10-32 stud with jam nuts                  |  |

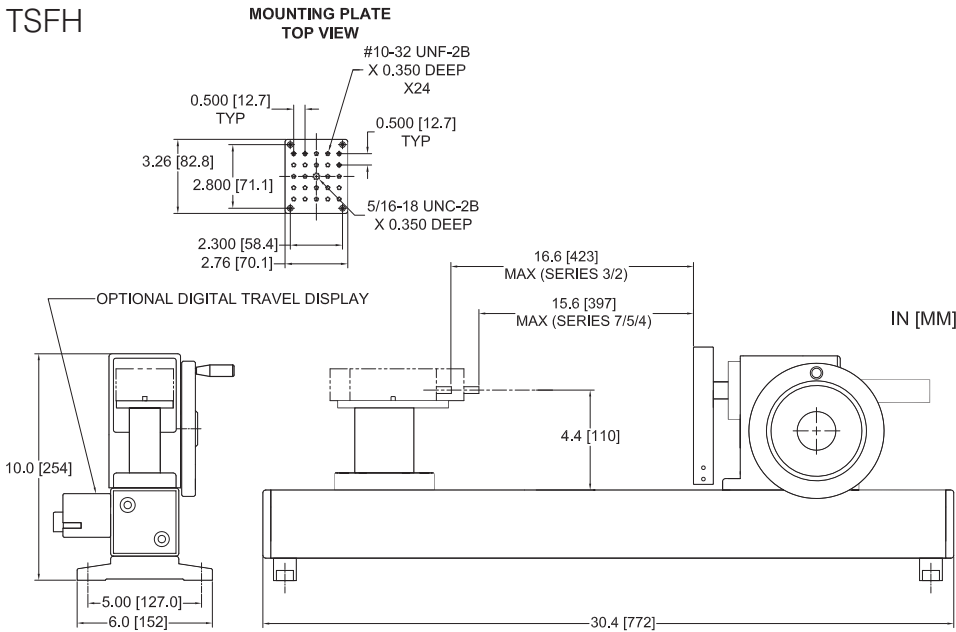


## Dimensions

### TSF



### TSFH



## Ordering Information

| Model No. | Description   |
|-----------|---|
| TSF       | Test stand, hand wheel-operated, 1000 lbF, vertical   |
| TSFH      | Test stand, hand wheel-operated, 1000 lbF, horizontal |
| TSF001    | Digital travel display for TSF / TSFH                 |
| TSF002    | Horizontal / wall mounting kit for TSF / TSFH         |



Mark-10 Corporation ■ www.mark-10.com ■ info@mark-10.com  
 Toll-free: 888-MARK-TEN ■ Tel: 631-842-9200 ■ Fax: 631-842-9201

