

32-1047 REV 1

These compact and economical test stands are ideal for low force applications with relatively small sample sizes. The ES10 and ES20 produce both tensile and compressive force up to 100 lbf. Choose between lever operation for quick tests or hand wheel operation for better control of motion. Combine these test stands with Mark-10 digital force gauges and gripping fixtures to create complete testing solutions.

Specifications

| | |
|-----------------------|--|
| Load capacity: | 100 lbf [500 N] |
| Maximum travel: | ≈9 in [228.6 mm], depending on gauge, gripping fixtures, and sample size |
| Loading method: | |
| ES10: | Lever |
| ES20: | Hand wheel |
| Travel rate: | |
| ES10: | 1.05 in [26.7 mm] per lever rev. |
| ES20: | 0.083 in [2.1 mm] per hand wheel rev. |
| Weight: | 10 lb [4.5 kg] |
| Included accessories: | Force gauge mounting hardware |
| Warranty: | 3 years (see individual statement for details) |

Optional Equipment

| | |
|--------------------------------|--|
| Dial travel indicator ES001 | 1" displacement, 0.001" resolution. Mounts onto the test stand and can be repositioned. |
| Digital travel indicator ES002 | 1" displacement, 0.0005" / 0.01 mm resolution. Includes zero and in/mm selector buttons. Mounts onto the test stand and can be repositioned. |
| Base plate 14-1068 | Steel base plate has 25 #10-32 threaded holes for fixture mounting |

» Dial travel indicator



» Digital travel indicator

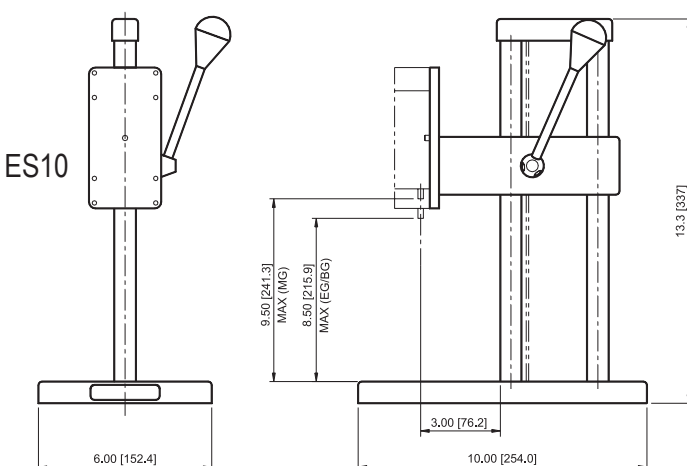


» Base plate



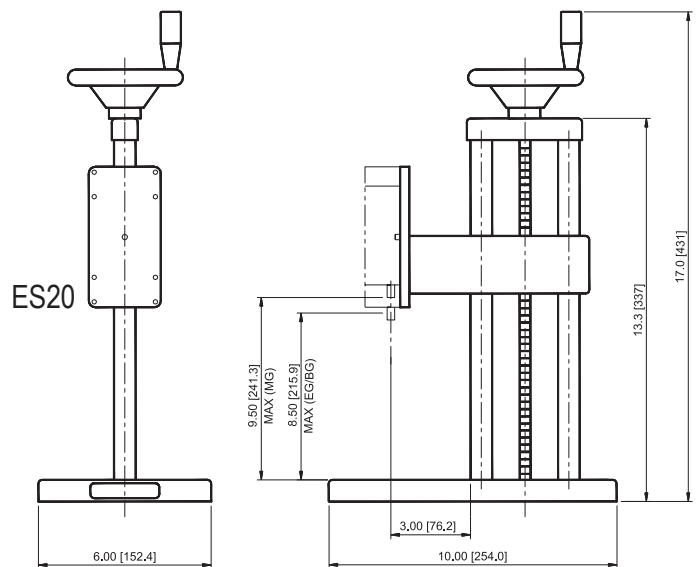
Dimensions

in [mm]



The ES20 is shown in a peel testing application with Series 5 digital force gauge, and film & paper grips.

The ES10 is shown in a wire terminal pull-off test, with Series 5 digital force gauge, wire terminal grip, and dual roller grip.



Ordering Information

| Model No. | Description |
|-----------|--|
| ES10 | Test stand, lever-operated, 100 lbf |
| ES20 | Test stand, hand wheel-operated, 100 lbf |
| ES001 | Dial Indicator Kit for ES10 / ES20, 1" travel |
| ES002 | Digital Indicator Kit for ES10 / ES20, 1" travel |
| 14-1068 | Base plate, tapped holes |