

The lever-operated TSB100 test stand is ideal for quick-action tensile testing and compression testing of up to 100 lbF (500 N) of force. Constructed of rugged components, this test stand is durable enough for the factory floor, yet precise enough for laboratory environments.

Specifications

Load capacity:	100 lbF [500 N]
Maximum travel:	With travel stops: 2.75 in [69.9 mm] Without travel stops: 6 in [152.4 mm]
Loading method:	Rack and pinion, lever can be positioned in 30° increments
Travel rate:	3 in [76.2 mm] per lever rev.
Weight:	12 lb [5.4 kg]
Warranty:	3 years (see individual statement for further details)

Optional Equipment



**Digital travel display
TSA001**

6 in [150 mm] travel, 0.0005 in [0.01 mm] resolution, 0.001 in [0.03 mm] accuracy, SPC output for data collection. Requires TSB003 travel stops kit.



**Horiz. mounting kit
TSA002**

Converts to a horizontal orientation, for alternative mounting arrangements.



**Travel stops kit
TSB003**

Pair of adjustable travel stops for setting travel limits during testing.

Ordering Information

Model No.	Description
TSB100	Test stand, lever-operated, 100 lbF, vertical
TSA001	Digital travel display for TSB100
TSB003	Travel stops kit
TSA002	Horizontal / wall mounting kit

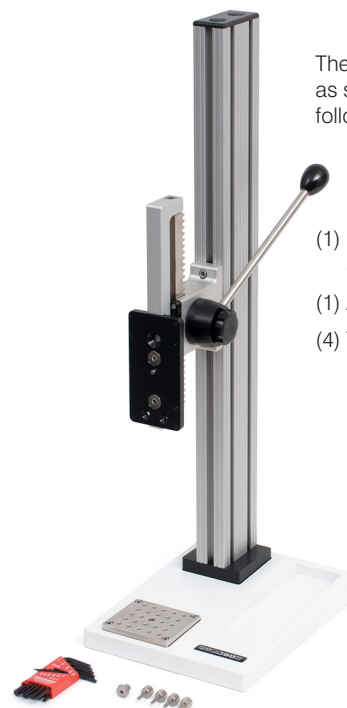


The TSB100 is shown with a Series 7 force gauge, G1001 wire terminal grip, and G1002 dual roller grip.

In The Box

The TSB100 test stand is shipped as shown on left, and includes the following accessories:

- (1) G1030 thread adapter, 5/16-18M to #10-32F
- (1) Allen wrench set
- (4) Thumb screw for force gauge



Dimensions

in [mm]

